

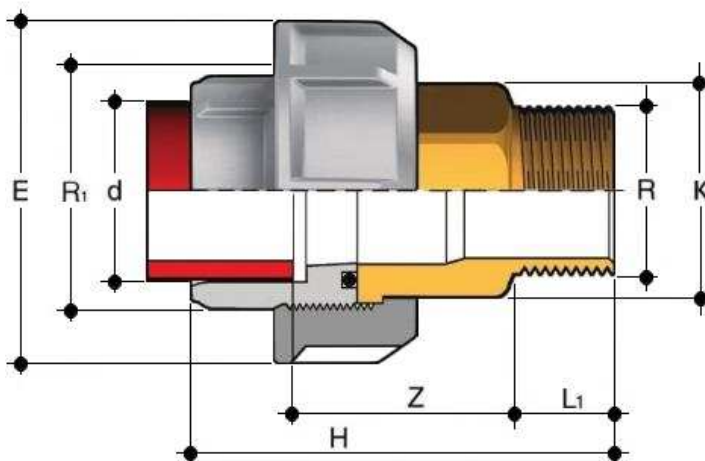


Bocchettone di passaggio PP/Ottone

Estremità d a bicchiere per saldatura a tasca
 estremità R ottone filettato maschio
 O-ring in EPDM o FPM
 Codice: DBIROM

PP/brass adaptor union

One socket plain for socket fusion welding (d),
 R with brass male parallel threaded
 EPDM or FPM O-ring
 Code: DBIROM



d x R	R ₁	PN	E	H	Z	K	L ₁	Peso Weight (gr)
20 x 1/2"	1"	10	47	65,0	37,5	25	13,5	134
25 x 3/4"	1 1/4"	10	58	71,5	40,5	32	15,0	227
32 x 1"	1 1/2"	10	65	78,0	42,5	38	17,5	287
40 x 1 1/4"	2"	10	78	87,0	47,5	48	19,5	534
50 x 1 1/2"	2 1/4"	10	85	95,0	52,5	55	19,5	668
63 x 2"	2 3/4"	10	103	113,5	62,5	69	24,0	1144

- Attacchi in accordo con le seguenti norme:
 DIN 16962 per accoppiamento con tubi secondo EN ISO 15494, DIN 8077/8078, UNI 8318.
- Filettatura: UNI ISO 228/1, DIN 2999, BS 21

- Coupling comply with the following standards:
 DIN 16962, for coupling to pipes complying with EN ISO 15494, DIN 8077, UNI 8318.
- Threaded coupling: UNI ISO 228/1, DIN 2999, BS 21