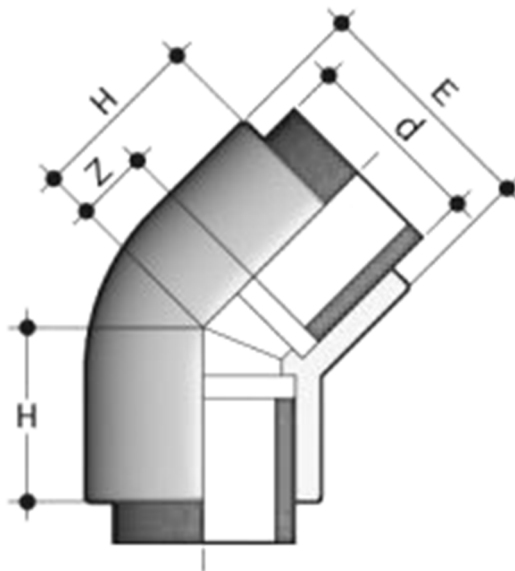




Gomito 45° PP

Estremità per saldatura nel bicchiere
Codice: DHIM

PP elbow 45°
Ends for socket fusion welding
Code: DHIM



d	PN	E	H	Z	Peso Weight (gr)
20	10	27,5	21,0	6,5	12
25	10	33,5	24,5	8,5	19
32	10	45,0	29,0	12,0	36
40	10	51,5	35,5	15,0	57
50	10	63,0	42,5	19,0	105
63	10	79,0	51,0	23,5	182
75	10	92,0	71,0	38,5	220
90	10	113,7	82,5	46,0	410
110	10	135,0	98,7	56,0	590

- Attacchi in accordo alle seguenti normative:
DIN 16962, UNIPLAST 383 accoppiabili con tubi secondo le norme ISO DIS 3609, DIN 8077, UNI 8318, BS 4991, ISO DIS 15494

- Coupling comply with the following standards:
DIN 16962, UNIPLAST 383 coupling to pipes complying with ISO DIS 3609, DIN 8077, UNI 8318, BS 4991, ISO DIS 15494