

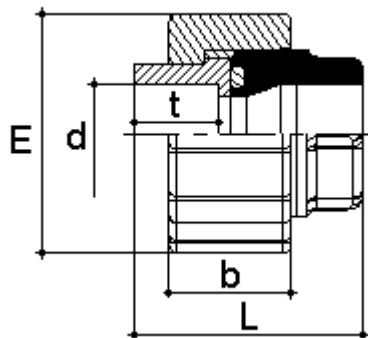


### Bocchettone PE100

Estremità per saldatura nel bicchiere,  
guarnizioni o-ring in EPDM o FPM

### PE100 socket union

For sockets fusion,  
EPDM or FPM gasket



d (mm)	L (mm)	b (mm)	t (mm)	E (mm)	Peso Weight (kg)	PN (bar)
20	45 ± 3,0	16,0 ± 1,5	16,0 ± 1	47 ± 2,0	0,04	10
25	49 ± 3,0	18,0 ± 1,5	18,0 ± 1	57 ± 2,0	0,06	10
32	53 ± 3,0	19,5 ± 1,5	19,0 ± 1	64 ± 2,0	0,09	10
40	59 ± 3,0	22,0 ± 1,5	22,5 ± 1	78 ± 2,0	0,26	10
50	67 ± 3,0	24,5 ± 1,5	24,5 ± 1	89 ± 2,0	0,29	10
63	79 ± 3,0	28,5 ± 1,5	28,5 ± 1	109 ± 2,0	0,32	10

Materiale: PE 100

Colore: nero

Idoneo per linee chimiche, acqua e gas

Material: PE 100

Colour: black

Suitable for chemical, water and gas piping system