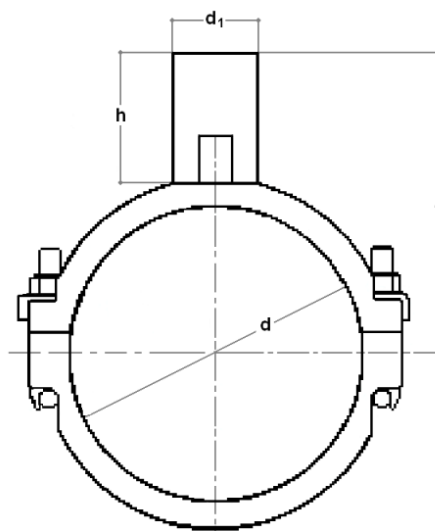




Collare di presa elettrico semplice PE 100

Electrofusion PE 100 branching saddle



<b>d</b> <b>(mm)</b>	<b>d<sub>1</sub></b> <b>(mm)</b>	<b>t</b> <b>(mm)</b>	<b>h</b> <b>(mm)</b>	<b>Peso</b> <b>Weight</b> <b>(Kg)</b>
63	32 (20-25)	159	49	0,430
63	40	159	49	0,420
90	32 (20-25)	166	49	0,705
90	63 (40-50)	155	74	0,700
110	32 (20-25)	140	58	0,830
110	63 (40-50)	150	74	0,900
125	32 (20-25)	148	58	0,880
125	63 (40-50)	158	74	0,950
160	32 (20-25)	210	49	1,355
160	63 (40-50)	195	74	1,455
200	32 (20-25)	227	49	1,605
200	63 (40-50)	215	74	1,715
225	32 (20-25)	235	49	1,650
225	63 (40-50)	223	74	1,750
225	32 (20-25)	227	49	1,605

Gas S8 – S5  
Acqua PN 10, 16, 25  
PE 100 nero  
SDR 11 ISO S-5

*Gas S8 – S5  
Water PN 10, 16, 25  
PE 100 black  
SDR 11 ISO S-5*